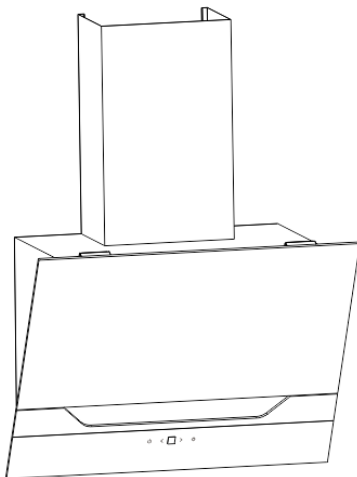


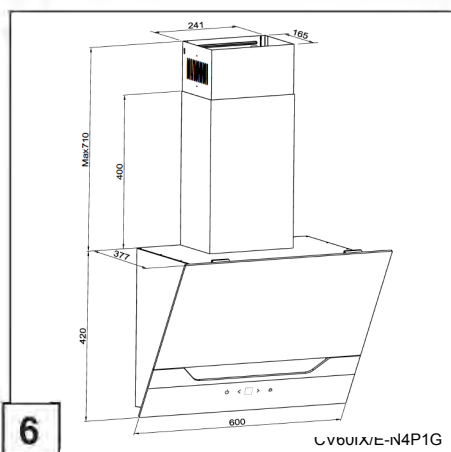
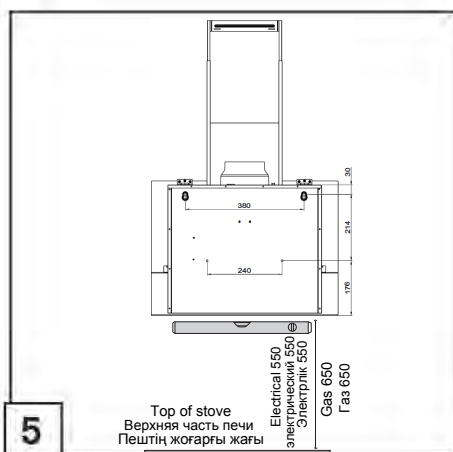
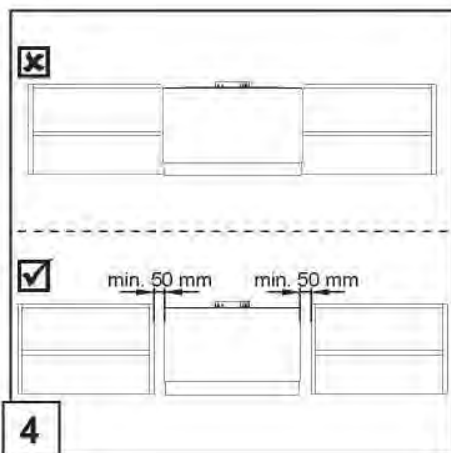
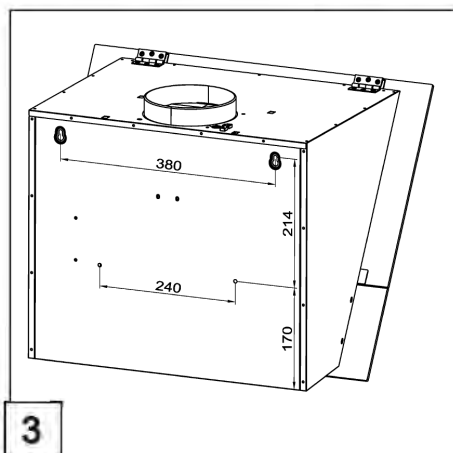
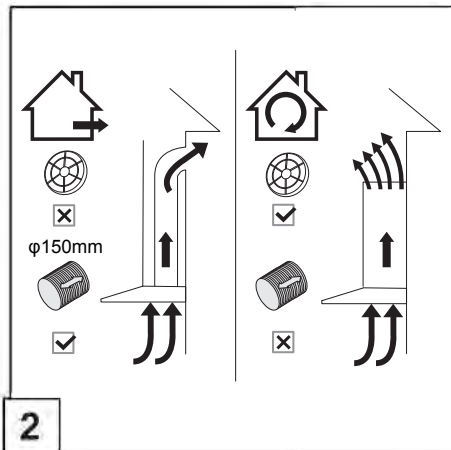
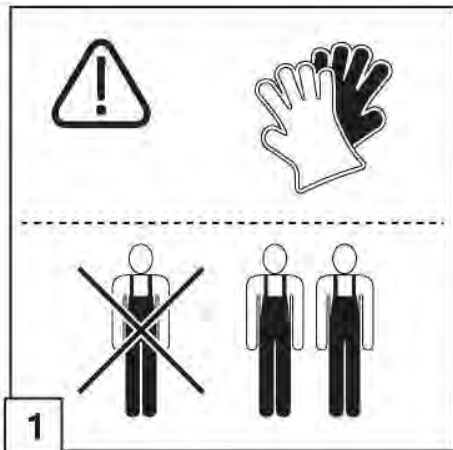
**gorenje**

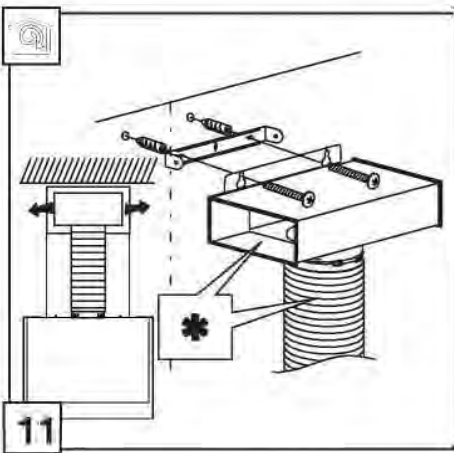
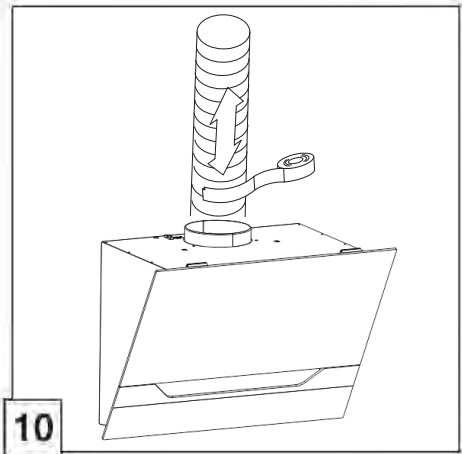
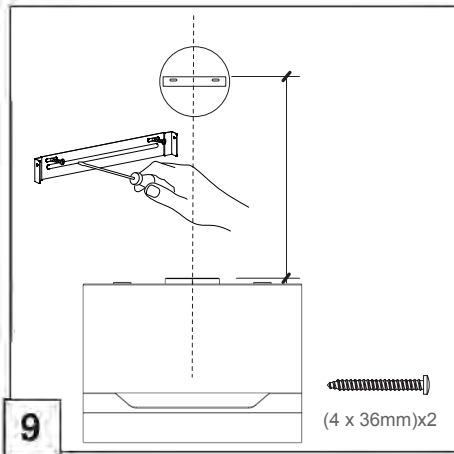
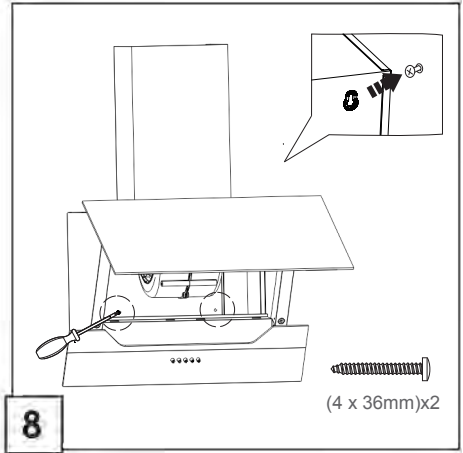
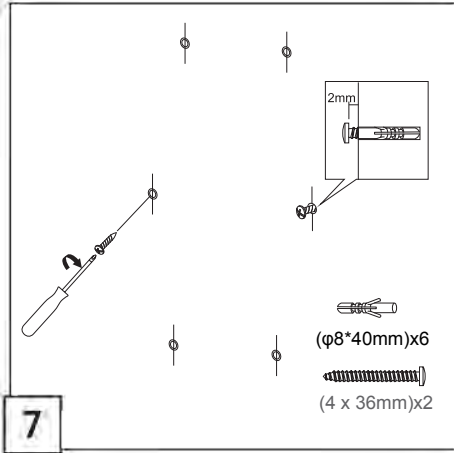


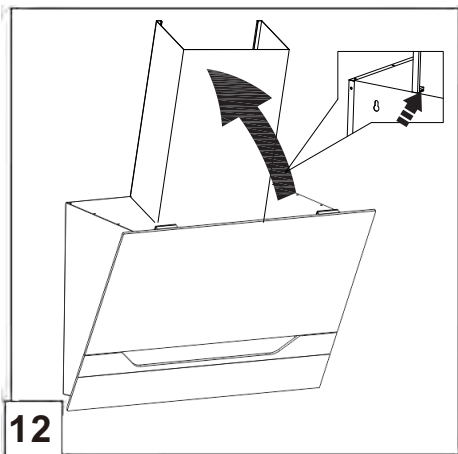
**COOKER HOOD**  
**КУХОННАЯ ВЫТЯЖКА**  
**АС ҮЙ СОРҒЫСЫ**

CV60BK/E-N6T1G WHI646E7BP

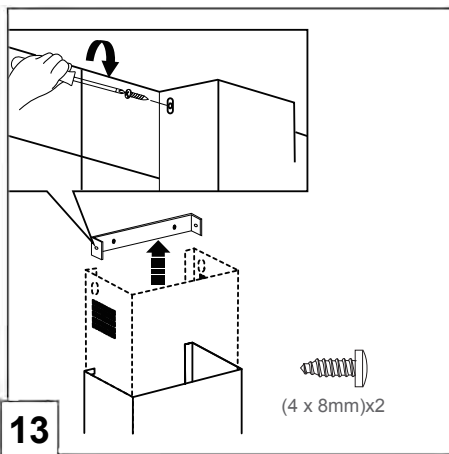
[www.gorenje.com](http://www.gorenje.com)





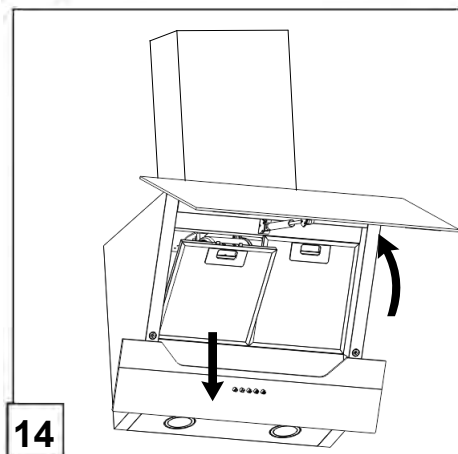


12

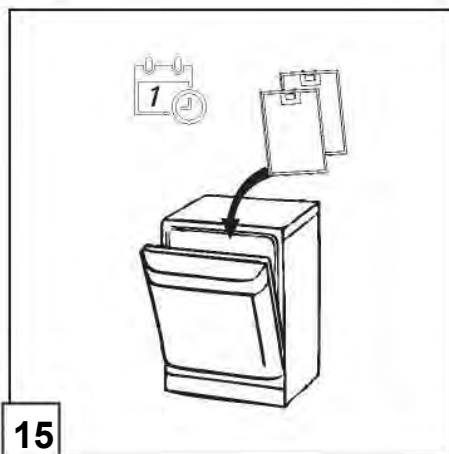


13

(4 x 8mm)x2



14



15



16



17

## EN COOKER HOOD

Closely follow the instructions set out in this manual. All responsibility, for any eventual inconveniences, damages or fires caused by not complying with the instructions in this manual, is declined. The hood is conceived for the suction of cooking fumes and steam and is destined only for domestic use.

The hood can look different to that illustrated in the drawings in this booklet. The instructions for use, maintenance and installation, however, remain the same.

! It is important to conserve this booklet for consultation at any moment. In the case of sale, cession or move, make sure it is together with the product.

! Read the instructions carefully: there is important information about installation, use and safety.

! Do not carry out electrical or mechanical variations on the product or on the discharge conduits.

! Before proceeding with the installation of the appliance verify that there are no damaged all components. Otherwise contact your dealer and do not proceed with the installation.



### CAUTION WARNING

**Note:** the elements marked with the symbol "(\*)" are optional accessories supplied only with some models or elements to purchase, not supplied.

! Do not connect the appliance to the mains until the installation is fully complete.

! Before any cleaning or maintenance operation, disconnect hood from the mains by removing the plug or disconnecting the mains electrical supply.

! Always wear work gloves for all installation and maintenance operations.

! The appliance is not intended for use by children or persons with impaired physical, sensorial or mental faculties, or if lacking in experience or knowledge, unless they are under supervision or have been trained in the use of the appliance by a person responsible for their safety.

! This appliance is designed to be operated by adults, children should be monitored to ensure that they do not play with the appliance.

! This appliance is designed to be operated by adults. Children should not be allowed to tamper with the controls or play with the appliance.

! Do not install the appliance outdoors in a damp place or in an area which may be prone to water leaks such as under or near a sink unit. In the event of a water leak allow the machine to dry naturally.

! Never use the hood without effectively mounted grating!

! Do not use flammable sprays in close vicinity to the appliance.

! The hood must NEVER be used as a support surface unless specifically indicated.

! The premises where the appliance is installed must be sufficiently ventilated, when the kitchen hood is used together with other gas combustion devices or other fuels.

! The ducting system for this appliance must not be connected to any existing ventilation system which is being used for any other purpose such as discharging exhaust fumes from appliances burning gas or other fuels.

! The flaming of foods beneath the hood itself is severely prohibited.

! The use of exposed flames is detrimental to the filters and may cause a fire risk and therefore must be avoided in all circumstances.

! Any frying must be done with care in order to make sure that the oil does not overheat and ignite.

! Accessible parts of the hood may become hot when used with cooking appliance.

! With regards to the technical and safety measures to be adopted for fume discharging it is important to closely follow the regulations provided by the local authorities.

! The hood must be regularly cleaned on both the inside and outside (AT LEAST ONCE A MONTH).

! This must be completed in accordance with the maintenance instructions provided in this manual). Failure to follow the instructions **provided in this user guide regarding the cleaning of the hood and filters will lead to the risk of fires.**

! Do not use or leave the hood without the lamp correctly mounted due to the possible risk of electric shocks.

! We will not accept any responsibility for any faults, damage or fires caused to the appliance as a result of nonobservance of the instructions included in this manual.

! This appliance is marked according to the European directive 2002/96/EC on Waste Electrical and Electronic Equipment (WEEE). By ensuring this product is disposed of correctly, you will help prevent potential negative consequences for the environment and human health, which could otherwise be caused by inappropriate waste handling of this product.



The symbol on the product, or on the documents accompanying the product, indicates that this appliance may not be treated as household waste. Instead it should be taken to the appropriate collection point for the recycling of electrical and electronic equipment. Disposal must be carried out in accordance with local environmental regulations for waste disposal.

For further detailed information regarding the process, collection and recycling of this product, please contact the appropriate department of your local authorities or the local department for household waste or the shop where you purchased this product.

Suggestions for a correct use in order to reduce the environmental impact: Switch ON the hood at minimum speed when you start cooking and keep it running for few minutes after cooking is finished. Increase the speed only in case of large amount of smoke and vapour and use boost speed(s) only in extreme situations. Replace the charcoal filters) when necessary to maintain a good odour reduction efficiency. Clean the grease filter(s) when necessary to maintain a good grease filter efficiency. Use the maximum diameter of the ducting system indicated in this manual to optimize efficiency and minimize noise.

#### **Additional Installation Specifications:**

Use only the fixing screws supplied with the product for installation or, if not supplied, purchase the correct screws type.

Use the correct length for the screws which are identified in the Installation Guide.

In case of doubt, consult an authorized service assistance center or similar qualified person.

**WARNING!** Failure to install the screws or fixing the device in accordance with these instructions may result in electrical hazards.

## **USE**



### **Ducting version**

The hood is designed to be used either for exhausting or filter version.

In this case the fumes are conveyed outside of the building by means of a special pipe connected with the connection ring located on top of the hood.

**Attention!** The exhausting pipe is not supplied and must be purchased apart.

Diameter of the exhausting pipe must be equal to that of the connection ring.

In the horizontal runs the exhausting pipe must be slightly slanted (about 10°) and directed upwards to vent the air easily from the room to the outside.

**Attention!** If the hood is supplied with active charcoal filter, then it must be removed.

Connect the hood and discharge holes on the walls with a diameter equivalent to the air outlet (connection flange).

Using the tubes and discharge holes on walls with smaller dimensions will cause a diminution of the suction performance and a drastic increase in noise.

Any responsibility in the matter is therefore declined.

! Use a duct of the minimum indispensable length.

! Use a duct with as few elbows as possible (maximum elbow angle: 90°).

! Avoid drastic changes in the duct cross-section.

! Use a duct as smooth as possible inside.

! The duct must be made of certified material.



### **Filter version**

One active charcoal filter is needed for this and can be obtained from your usual retailer.

The filter removes the grease and smells from the extracted air before sending it back into the room through the upper outlet grid.

## **INSTALLATION**

The minimum distance between the supporting surface for the cooking equipment on the hob and the lowest part of the range hood must be not less than 65cm from electric cookers and 75cm from gas or mixed cookers.

If the instructions for installation for the gas hob specify a greater distance, this must be adhered to.



### **Electrical connection**

The mains power supply must correspond to the rating indicated on the plate situated inside the hood. If provided with a plug connect the hood to a socket in compliance with current regulations and positioned in an accessible area, after installation. If it is not fitted with a plug (direct mains connection) or if the plug is not located in an accessible area, after installation, apply a double pole switch in accordance with standards which assures the complete disconnection of the mains under conditions relating to over-current category III, in accordance with installation instructions.

**Warning!** Before re-connecting the hood circuit to the mains supply and checking the efficient function, always check that the mains cable is correctly assembled.

## Mounting

Very heavy product; hood handling and installation must be carried out by at least two persons.

Before beginning installation:

- Check that the product purchased is of a suitable size for the chosen installation area.
- Remove the charcoal (\*) filter/s if supplied (see relative paragraph). This/these is/are to be mounted only if you want to use the hood in filtering version.
- Check (for transport reasons) that there is no other supplied material inside the hood (e.g., packets with screws (\*), guarantees (\*), etc.), eventually removing them and keeping them.
- If possible, disconnect and move freestanding or slide-in range from cabinet opening to provide easier access to rear wall/ceiling. **Otherwise put a thick, protective covering over countertop, cooktop or range to protect from damage and debris. Select a flat surface** for assembling the unit. Cover that surface with a protective covering and place all canopy hood parts and hardware in it.
- In addition check whether near the installation area of the hood (in the area accessible also with the hood mounted) an electric socket is available and it is possible to connect a fumes discharge device to the outside (only suction version).
- Carry out all the masonry work necessary (e.g. installation of an electric socket and/or a hole for the passage of the discharge tube).

Expansion wall plugs are provided to secure the hood to most types of walls/ceilings. However, a qualified technician must verify suitability of the materials in accordance with the type of wall/ceiling. The wall/ceiling must be strong enough to take the weight of the hood. **Do not tile, grout or silicone this appliance to the wall. Surface mounting only.**

## OPERATION

Use the high suction speed in cases of concentrated kitchen vapors. It is recommended that the cooker hood suction is switched on for 5 minutes prior to cooking and to leave in operation during cooking and for another 15 minutes approximately after terminating cooking.

### Mechanical controls



- ① Press the Switch Off button to switch off the motor.
- ☞ Press the Speed 1 button to start the motor with speed 1.
- ☞ Press the Speed 2 button to start the motor with speed 2.
- ☞ Press the Speed 2 button to start the motor with speed 3.
- 💡 Press the Light button to switch the light ON. Press again to switch the light OFF.

### Touch controls



- ⏻ Press the On/Off button to start selecting motor speeds.
- ⏪ Press to decrease motor speed.
- ⏩ Press to increase motor speed (max. 3 speed levels)
- 💡 Press the Light button to switch the light ON. Press again to switch the light OFF.

## MAINTENANCE

**ATTENTION!** Before performing any maintenance operation, isolate the hood from the electrical supply by switching off at the connector and removing the connector fuse.

Or if the appliance has been connected through a plug and socket, then the plug must be removed from the socket.

## Cleaning

The cooker hood should be cleaned regularly (at least with the same frequency with which you carry out maintenance of the fat filters) internally and externally. Clean using the cloth dampened with neutral liquid detergent. Do not use abrasive products. **DO NOT USE ALCOHOL!**  
**WARNING:** Failure to carry out the basic cleaning recommendations of the cooker hood and the replacement of the filters may cause fire risks. Therefore, we recommend observing these instructions.

The manufacturer declines all responsibility for any damage to the motor or any fire damage linked to inappropriate maintenance or failure to observe the above safety recommendations.

## Grease filter

Traps cooking grease particles.

The grease filter must be cleaned once a month using non aggressive detergents, either by hand or in the dishwasher, which must be set to a low temperature and a short cycle. When washed in a dishwasher, the grease filter may discolour slightly, but this does not affect its filtering capacity. To remove the grease filter, pull the spring release handle.

## Charcoal filter (filter version only)

It absorbs unpleasant odours caused by cooking.

The saturation of the charcoal filter occurs after more or less prolonged use, depending on the type of cooking and the regularity of cleaning of the grease filter.

In any case it is necessary to replace the cartridge at least every four months.

The charcoal filter may NOT be washed or regenerated.

### **Circular carbon filter**

Apply one on each side as cover to both the shield grids of the motor impeller, then turn clockwise.

For the disassembly, turn counter-clockwise.

## Replacing lamps

The hood is equipped with a lighting system based on LED technology.

The LEDs guarantee an optimum lighting, a duration up to 10 times as long as the traditional lamps and allow to save 90% electrical energy. For replacement, contact the technical service.

## Technical specification

CV60BK/E-N6T1G

Supply voltage	220-240V~50Hz
Power consumption - Fan	280W
Power consumption - Luminary	2 x 1.5W Max
Power consumption - Total	283W
Protection class	II
Light bulb	Max. 1.5W



# RU КУХОННАЯ ВЫТЯЖКА

Точно следуйте указаниям данной инструкции по эксплуатации! Производитель не несет ответственность за любые неисправности, ущерб и возгорание, возникшие в результате несоблюдения указаний, приведенных в данной инструкции. Прибор предназначен для использования в домашних условиях для отвода дыма и испарений, образующихся при приготовлении.

Прибор может отличаться по дизайну от прибора, изображенного на рисунках в данной инструкции. Однако следуйте указаниям по эксплуатации, обслуживанию и установке, приведенным в инструкции.

! Держите инструкцию вблизи прибора, чтобы ею можно было воспользоваться в любой момент. Обязательно сохраните инструкцию и другую прилагаемую документацию. При передаче прибора новому владельцу не забудьте передать также эти документы.

! Внимательно прочтите инструкцию, так как в ней содержится важная информация об установке, эксплуатации и технике безопасности.

! Запрещается вносить любые изменения в конструкцию, электрическую схему и систему отвода отработанного воздуха данного прибора.

! Перед монтажом проверьте прибор на предмет повреждений. Если прибор поврежден, не устанавливайте его и обратитесь в магазин, в котором вы приобрели прибор.

**Примечание.** Принадлежности, отмеченные символом «(\*)», входят в комплект оборудования только некоторых моделей. При желании принадлежности можно приобрести отдельно.



## **ВНИМАНИЕ!**

### **ПРЕДУПРЕЖДЕНИЕ!**

- ! Не подключайте прибор к электросети, пока установка полностью не завершена.
- ! Перед очисткой и обслуживанием отключите вытяжку от электросети, вынув вилку из розетки или выключив предохранитель.
- ! При выполнении работ по установке и обслуживанию надевайте защитные перчатки.
- ! Использование прибора детьми и людьми с ограниченными физическими, двигательными и психическими способностями, а также людьми, не имеющими достаточного опыта или знаний для его использования, допускается только под присмотром или после обучения безопасному использованию со стороны лица, отвечающего за их безопасность.
- ! Прибор предназначен для использования взрослыми. Следите за детьми, чтобы они не играли с прибором.
- ! Прибор предназначен для использования взрослыми. Не позволяйте детям играть с элементами управления и самим прибором.
- ! Не устанавливайте прибор на открытом воздухе во влажном месте или в местах, где может произойти утечка воды, например, под раковиной или рядом с ней. В случае протечки воды дайте прибору высохнуть естественным образом.
- ! Не используйте прибор, если решетка неправильно установлена!
- ! Не используйте легковоспламеняющиеся аэрозоли вблизи прибора.
- ! КАТЕГОРИЧЕСКИ запрещается использовать вытяжку в качестве опорной плоскости, если не указано иное.
- ! Обеспечьте достаточную вентиляцию помещения, где кроме вытяжки установлены приборы, работающие на газе или другом топливе.
- ! Воздуховод вытяжки нельзя подключать к вентиляционной системе, которая используется для других целей, например, для отвода отработанных газов от приборов, работающих на газе или другом топливе.
- ! Категорически запрещается готовить на открытом огне и фламбировать под вытяжкой.
- ! Использование открытого огня может привести к повреждению фильтров и возгоранию, поэтому избегайте этого при любых обстоятельствах.
- ! Запрещается жарить пищу без присмотра, так как масло может перегреться и воспламениться.
- ! Во время эксплуатации вытяжки совместно с варочными приборами доступные части вытяжки могут нагреваться.
- ! Строго соблюдайте технические предписания и указания по безопасности местных уполномоченных органов в области отвода отработанного воздуха.
- ! Регулярно очищайте внутренние и внешние поверхности прибора (НЕ РЕЖЕ ОДНОГО РАЗА В МЕСЯЦ).
- ! Указания по очистке приведены в соответствующем разделе данной инструкции. Несоблюдение указаний по очистке прибора, а также очистке и замене фильтров может стать причиной возгорания.
- ! Запрещается использовать и оставлять вытяжку с неправильно установленными лампочками, так как это может привести к поражению электрическим током.
- ! Производитель не несет ответственность за неисправности, ущерб и возгорание прибора, возникшие вследствие несоблюдения указаний данной инструкции.
- ! Это оборудование маркировано в соответствии с Европейской директивой 2002/96/ЕС об отходах электрического и электронного оборудования (WEEE). Соблюдая правила утилизации изделия, вы сможете предотвратить причинение ущерба окружающей среде и здоровью людей, который возможен вследствие неподобающего обращения с подобными отходами.



Символ на изделии или в сопроводительной документации указывает, что оно не подлежит утилизации вместе с бытовыми отходами. Сдайте изделие в пункт приема электрического и электронного оборудования. При утилизации соблюдайте соответствующие национальные нормы по утилизации отходов.

За более подробной информацией об утилизации изделия обратитесь к местным властям, в службу по вывозу и утилизации отходов или в магазин, в котором вы приобрели изделие.

Рекомендации по эксплуатации для уменьшения воздействия на окружающую среду

**ВКЛЮЧАЙТЕ** вытяжку на минимальной скорости в начале приготовления и оставляйте работать на несколько минут после завершения приготовления. Увеличивайте скорость работы, только если увеличивается интенсивность испарений. Используйте турборежим только при необходимости. Вовремя меняйте угольные фильтры (угольный фильтр) для эффективного удаления неприятных запахов. Регулярно очищайте жировые фильтры (жировой фильтр) для поддержания их эффективной работы. Используйте вытяжные шланги с наибольшим допустимым диаметром, приведенным в данной инструкции, чтобы обеспечить максимально эффективную работу вытяжки при минимальном уровне шума.

#### Дополнительные указания по установке

Для монтажа используйте винты, поставляемые в комплекте. Если винты не входят в комплект поставки, приобретите винты соответствующего типа.

Длина винтов должна соответствовать параметрам, указанным в разделе «Установка».

Если у вас возникли сомнения, обратитесь к авторизованному сервисному специалисту.

**ПРЕДУПРЕЖДЕНИЕ!** Если не установить винты или крепежные приспособления в соответствии с данной инструкцией, существует опасность поражения электрическим током.

## ИСПОЛЬЗОВАНИЕ

Вытяжка может работать в режиме отвода воздуха или в режиме рециркуляции.



### Работа в режиме отвода воздуха

В режиме отвода загрязненный воздух отводится из помещения через специальный вытяжной шланг, который крепится к отверстию воздуховода в верхней части вытяжки.

**Внимание!** Вытяжной шланг не входит в комплект поставки и приобретается отдельно.

Диаметр шланга должен соответствовать диаметру отверстия воздуховода.

При горизонтальной прокладке укладывайте шланг с уклоном вверх 10°, чтобы обеспечить беспрепятственный отвод отработанного воздуха.

**Внимание!** Снимите угольный фильтр, если он установлен.

При подсоединении вытяжки к отверстию в стене диаметр вытяжного шланга должен соответствовать диаметру отверстия воздуховода на вытяжке.

Малый диаметр вытяжного шланга и отверстия в стене снижают эффективность отвода воздуха и значительно повышают уровень шума.

В этом случае производитель не несет ответственность.

! Важно, чтобы проложенный вытяжной шланг не был слишком длинным.

! Прокладывайте вытяжной шланг с наименьшим количеством изгибов. Максимальный угол изгиба 90°.

! Старайтесь незначительно менять диаметр вытяжного шланга.

! Внутренняя поверхность вытяжного шланга должна быть максимально гладкая.

! Вытяжной шланг должен быть изготовлен из сертифицированных материалов.



### Работа в режиме рециркуляции

В режиме рециркуляции необходимо установить один угольный фильтр, который можно приобрести в магазине или сервисном центре.

Фильтр задерживает частички жира и запахи и возвращает очищенный воздух в помещение через верхнюю решетку.

## УСТАНОВКА

Минимальное расстояние между нижним краем вытяжки и электрической варочной поверхностью 65 сантиметров, между нижним краем вытяжки и газовой/комбинированной варочной поверхностью 75 сантиметров.

Если в инструкции по установке газовой плиты/панели указано большее расстояние, соблюдайте это расстояние.



### Подключение к электросети

Перед подключением проверьте, совпадают ли данные, указанные в заводской табличке внутри прибора, с фактическими параметрами электросети. Если сетевой шнур вытяжки оборудован вилкой, вставьте вилку в розетку, установленную в соответствии с действующими правилами и расположенную в доступном месте. Если сетевой шнур вытяжки не оснащен вилкой или розетка расположена в недоступном месте, подключите прибор к двухполюсному выключателю, обеспечивающему полное размыкание сети при возникновении перенапряжения категории III, в соответствии с инструкциями по установке.

**Предупреждение!** Перед подключением вытяжки к электросети и проверкой исправности работы проверьте правильность монтажа сетевого шнура.

## **Монтаж**

Вытяжка тяжелая, поэтому переносить и производить ее установку должно не менее двух человек.

Перед началом установки:

- Проверьте, подходит ли изделие по размерам к выбранному месту для монтажа.
- Снимите угольные фильтры (угольный фильтр) (\*), если вытяжка ими комплектуется (см. соответствующий раздел). Устанавливайте угольные фильтры (угольный фильтр), если используете вытяжку в режиме рециркуляции.
- Проверьте, нет ли внутри вытяжки предметов, которые могли туда попасть при транспортировке, например, пакет с винтами (\*), гарантийный лист (\*) и при наличии выньте их.
- При возможности отключите от электросети и отодвиньте плиту или извлеките варочную панель из столешницы, чтобы обеспечить свободный доступ к стене или потолку в области монтажа. Если это невозможно, накройте плиту или варочную панель толстым материалом для защиты от повреждений и мусора. Сборку вытяжки производите на ровной поверхности. Накройте поверхность защитным материалом и разложите детали вытяжки и крепежные детали.
- Проверьте, имеются ли в области монтажа вытяжки розетка, к которой будет обеспечен свободный доступ после завершения монтажа, и подключение к каналу для отвода отработанного воздуха (для работы в режиме отвода воздуха).
- Выполните необходимые строительно-монтажные работы (установка розетки, устройство отверстия для выводящего шланга).

Для крепления вытяжки к различным типам стен и потолка прилагаются дюбели. Перед монтажом квалифицированный специалист должен проверить соответствие поверхности стены или потолка. Стена или потолок должны быть прочными, чтобы выдержать вес прибора. Не крепите вытяжку на стену с помощью жидких гвоздей, силикона и т. п. Прибор предназначен только для накладного монтажа.


## **ИСПОЛЬЗОВАНИЕ**

Включайте высокую скорость при высокой концентрации дыма и запаха в кухне. Рекомендуется включать вытяжку за 5 минут до начала приготовления, оставлять ее работать во время готовки и еще примерно 15 минут после окончания приготовления.

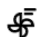
## **Механическое управление**




 Нажмите кнопку выключения, чтобы выключить мотор.

 Нажмите, чтобы включить скорость 1.

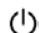
 Нажмите, чтобы включить скорость 2.


 Нажмите, чтобы включить скорость 3.

 Нажмите, чтобы включить освещение. Снова нажмите, чтобы выключить освещение.

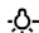
## **Сенсорное управление**



 Нажмите сенсор ВКЛ./ВЫКЛ. мотора, чтобы выбрать скорость работы вытяжки.

 Нажмите для уменьшения скорости работы вытяжки.

 Нажмите для увеличения скорости работы вытяжки (макс. 3 скорости работы вытяжки).

 Нажмите, чтобы включить освещение. Снова нажмите, чтобы выключить освещение.

## **ОБСЛУЖИВАНИЕ**

**ВНИМАНИЕ!** Перед очисткой и обслуживанием отключите прибор от электросети, выключив выключатель на щитке или выключив предохранитель.

Если прибор подключен к электросети через розетку, выньте вилку сетевого шнура.

### **Очистка**

Регулярно (не реже, чем жировые фильтры) очищайте внутренние и внешние поверхности прибора. Для очистки используйте ткань, смоченную нейтральным жидким моющим средством. Запрещается использовать абразивные чистящие средства. **ЗАПРЕЩАЕТСЯ ИСПОЛЬЗОВАТЬ СПИРТ!**

**ПРЕДУПРЕЖДЕНИЕ!** Несоблюдение правил очистки прибора и замены фильтров может привести к возгоранию, поэтому соблюдайте приведенные указания.

Производитель не несет ответственности за любые повреждения мотора и возгорание вследствие ненадлежащего обслуживания или несоблюдения приведенных указаний по безопасности.

### **Жировой фильтр**

Жировой фильтр задерживает частички жира.

Очищайте жировой фильтр один раз в месяц неагрессивным моющим средством вручную или в посудомоечной машине на быстрой программе при низкой температуре. При мытье в посудомоечной машине цвет фильтра может измениться, но это не влияет на функциональность фильтра.

Для извлечения жирового фильтра потяните его ручку вниз.

### **Угольный фильтр (для работы в режиме рециркуляции)**

Угольный фильтр поглощает неприятные запахи, образующиеся при приготовлении.

Срок службы и степень загрязнения угольного фильтра зависят от интенсивности ежедневного приготовления и частоты очистки жирового фильтра.

В любом случае картридж угольного фильтра необходимо менять каждые четыре месяца.

Угольный фильтр НЕЛЬЗЯ мыть и регенерировать.

#### **Круглый угольный фильтр**

Установите фильтр с каждой стороны, как крышку, для защиты крыльчатки мотора и поверните по часовой стрелке.

Чтобы снять фильтр, поверните его против часовой стрелки.

### **Замена лампочек**

Вытяжка оборудована современными светодиодными лампочками, которые обеспечивают оптимальное освещение, служат в 10 раз дольше по сравнению с обычными лампочками и экономят до 90% электроэнергии. Для замены лампочек обратитесь в сервисный центр.

## **Технические характеристики**

CV60BK/E-N6T1G

Supply voltage	220-240V~50Hz
Power consumption - Fan	280W
Power consumption - Luminary	2 x 1.5W Max
Power consumption - Total	283W
Protection class	II
Light bulb	Max. 1.5W

Официальный импортер в РФ: ООО «Горень БТ», 119180, Москва, Якиманская наб., 4, стр. 1. Тел. 8-800-700-05-15



## KZ AC ҮЙ СОРҒЫСЫ

Осы пайдалану жөніндегі нұсқаулықта берілген нұсқауларды дәл орындаңыз! Өндіруші осы нұсқаулық нұсқауларын орындамау салдарынан туындаған қандай да бір ақауларға, залалға және өртке жауап бермейді. Ас үй сорғысы үй жағдайында тамақ дайындау кезінде пайда болатын түтін мен буды шығару үшін қолданылады.

Аспаптың сыртқы түрі осы нұсқаулықтағы суретте көрсетілген аспаптан өзгеше болуы мүмкін. Кез келген жағдайда нұсқаулықта берілген пайдалану, техникалық қызмет көрсету және монтаждау жөніндегі нұсқауларды орындаңыз.

! Қажет болған кезде нұсқаулықты болашақта қолдану үшін сақтай қойыңыз. Аспапты жаңа иегерге сату немесе беру кезінде осы нұсқаулықты да беруді ұмытпаңыз.

! Нұсқаулықты мұқият оқып шығыңыз, өйткені мұнда аспапты монтаждау, пайдалану және қауіпсіз қолдану жөніндегі маңызды ақпараттар бар.

! Сорғы жүйесінің құрылымына және оның электрлік жүйесіне кез келген өзгерістер енгізуге тыйым салынады.

! Монтаждауды бастамас бұрын аспапты бұзылулардың жоқтығына тексеріп алыңыз. Егер аспап бүлінген болса, оны кейін қарай орнатпаңыз және сатушыға жүгініңіз.

**Ескертпе.** «(\*)» жұлдызшамен белгіленген компоненттер қосымша болып табылады және кейбір модельдермен ғана жеткізіледі. Қаласаңыз мұндай компоненттерді бөлек сатып алуға болады.



### HAZAR AUDAРЫҢЫЗ! ЕСКЕРТУ!

! Монтаждау толықтай аяқталмайынша аспапты электр желісіне жалғамаңыз.

! Тазалауды және қызмет көрсетуді бастамас бұрын сорғыны электр желісінен ажыратыңыз, шнурды розеткадан суырыңыз немесе қорек беруді өшіріңіз.

! Монтаждау және қызмет көрсету бойынша жұмыстарды орындау кезінде қорғайтын қолғап киіңіз.

! Аспапты балаларға, физикалық, қозғалу және психикалық қабілеттері шектелген адамдарға, сонымен қатар оны қолдану үшін жеткілікті тәжірибесі мен білімі жоқ адамдарға тек біреудің қарауымен немесе олардың қауіпсіздігі үшін жауап беретін тұлғаның басшылығымен қолдануға рұқсат етіледі.

! Аспап ересектердің қолдануына арналған. Балаларға аспаппен ойнауға рұқсат етпеңіз.

! Аспап ересектердің қолдануына арналған. Балаларға басқару элементтерімен және аспаптың өзімен ойнауға рұқсат етпеңіз.

! Аспапты ғимараттан тыс дымқыл жерлерге немесе аспапқа су тиюі мүмкін жерлерге, мысалы, раковинаның астына немесе оның жанына орнатпаңыз. Су тиген жағдайда аспапты табиғи тәсілмен кептіріп алыңыз.

! Егер тор дұрыс орнатылмаған болса, сорғыны қолданбаңыз.

! Тез жанатын аэрозолдарды аспапқа тікелей жақын жерлерге қолданбаңыз.

! Егер бұл жеке келісіммен болса, сорғыны тірек жазықтығы ретінде қолдануға ҚАТАҢ тыйым салынады.

! Егер бөлмеге сорғыдан басқа газбен немесе басқа да отынмен жұмыс жасайтын аспаптар орнатылған болса, оны жеткілікті желдетуді қамтамасыз етіңіз.

! Сорғының ауасын газбен немесе басқа да отынмен жұмыс жасайтын аспаптардың желдету каналдары арқылы шығаруға болмайды.

! Сорғы астында ашық отпен дайындауға және отпен шарпуға ҚАТАҢ тыйым салынады.

! Ашық отты қолдану сүзгілердің бүлінуіне немесе жануына алып келуі мүмкін, сондықтан кез келген жағдайда мұның алдын алыңыз.

! Сорғының ауа бұру жүйесін басқа мақсаттарда, мысалы, газбен немесе басқа да отынмен жұмыс жасайтын аспаптардан шығарылған газдарды бұру үшін қолданылатын қолданыстағы желдету жүйесіне жалғауға болмайды.

! Сорғы астында ашық отпен дайындауға қатаң тыйым салынады.

! Ашық отты қолдану сүзгілердің бүлінуіне немесе жануына алып келуі мүмкін, сондықтан кез келген жағдайда ашық оттың алдын алыңыз.

! Тағамды қараусыз қуыруға тыйым салынады, өйткені май қызып кетуі және өртенуі мүмкін.

! Сорғының астында орналасқан пісіру аспабының жұмысы кезінде сорғының ашық бөліктері қызуы мүмкін.

! Түтін мен буды бұру саласындағы жергілікті уәкілетті органдардың техникалық ескертулері мен қауіпсіздік жөніндегі нұсқауларын мұқият орындаңыз.

! Аспаптың ішкі және сыртқы беттерін жүйелі түрде тазалап тұрыңыз (АЙЫНА БІР РЕТТЕН ЖИІ ЕМЕС)

! Тазалау жөніндегі нұсқаулар осы нұсқаулықтың тиісті бөлімінде берілген. **Осы пайдаланушы нұсқаулығында берілген сорғыны және сүзгілерді тазалау жөніндегі нұсқауларды орындамау өртке себеп болуы мүмкін.**

! Шамдары дұрыс орнатылмаған сорғыны қолдануға және қалдыруға тыйым салынады, өйткені бұл электр тоғынан зақым алуға алып келуі мүмкін.

! Өндіруші осы нұсқаулықта берілген нұсқауларды орындамау салдарынан туындаған қандай да бір ақауларға, залалға және өртке жауап бермейді.

!! Бұл аспап Электрлік және электронды жабдықтардың қалдықтарын қолдану туралы 2002/96/EU еуропа деректемесіне сәйкес таңбаланған. Бұйымды **көдеге жарату** ережелерін сақтау арқылы осы сияқты қалдықтармен тиісті түрде әрекет жасамау салдарынан туындауы мүмкін қоршаған ортаға және адамдардың денсаулығына зиян келтірудің алдын ала аласыз.



Бұйымдағы немесе оның ілеспе құжаттарындағы осы символ бұл аспаптың тұрмыстық қалдықтар ретінде көдеге жаратылмауы тиіс екендігін көрсетеді. Бұйымды одан ары көдеге жарату үшін оны электронды және электрлік жабдықтардың тиісті орындарына тапсырған жөн. Көдеге жарату міндетті түрде қалдықтарды көдеге жарату жөніндегі жергілікті экологиялық нормаларға сәйкес жүргізілуі тиіс.

Мұндай бұйымдарды қолдану, жинау және көдеге жарату жөніндегі барынша толық ақпаратты алу үшін тиісті жергілікті мемлекеттік органға, тұрмыстық қалдықтарды көдеге жарататын қызметке немесе осы бұйымды сатып алған сатушыға хабарласуыңызды сұраймыз.

Қоршаған ортаға әсерді азайту үшін пайдалану жөніндегі ұсыныстар: дайындау процесінің басында сорғыны минималды жылдамдықпен қосып алыңыз. **Дайындау аяқталғаннан кейін сорғыны бірнеше минут қосылған күйде қалдырыңыз. Жұмыс жасау жылдамдығын түтін мен бу мөлшері көп болған жағдайда ғана көбейтіңіз. Турборежимді қажет болған кезде ғана қолданыңыз. Жағымсыз иістерді тиімді жою үшін көмір сүзгілерді (көмір сүзгіні) уақытылы ауыстырыңыз. Май сүзгілерінің (май сүзгіні) жұмыс жасау тиімділігін жоғалтпау үшін оларды жүйелі түрде ауыстырып тұрыңыз. Ауа өткізгішті шудың минималды деңгейінде сорғының барынша жоғары тиімділігі үшін осы нұсқаулықта берілген ең жоғары рұқсат етілген диаметрмен қолданыңыз.**

### **Орнату жөніндегі қосымша нұсқаулар**

Монтаждау үшін бұйыммен бірге бір жиынтықта жеткізілетін бұрандаларды қолданыңыз. Егер бұрандалар жеткізу жиынтығына кірмейтін болса, типі сәйкес келетін бұрандаларды сатып алыңыз.

Бұранда ұзындығы ОРНАТУ бөлімінде көрсетілген мәндерге сәйкес келуі тиіс. Егер күмән туындаса, авторлық құқығы бар сервис орталыққа немесе білікті маманға жүгініңіз.

**ЕСКЕРТУ!** Осы нұсқаулықта берілген бұрандаларды қолдану немесе құрылғыларды орнату жөніндегі талаптарды орындамау электр тогынан зақым алуға алып келуі мүмкін.

### **ҚОЛДАНУ**



#### **Лас ауаны бұру режимінде жұмыс жасау**

**Сорғы лас ауаны бұру немесе сүзу режимінде жұмыс жасауға арналған.**

Бұл режимде ластанған ауа бөлмеден сорғының жоғарғы бөлігіндегі арнайы ауа шығару түтігіне жалғанған арнайы сору шлангасына беріледі.

**Назар аударыңыз!** Сору түтігі жеткізу жиынтығына кірмейді және жеке сатып алынады. Түтік диаметрі сорғыдағы саңылаудың диаметріне сәйкес келуі тиіс.

Горизонталь жүргізу кезінде түтікті сәл ғана көтеріп орнатыңыз (шамамен 10°), бұл ғимараттан лас ауаны еш кедергісіз бұруды қамтамасыз етеді.

**Назар аударыңыз!** Егер жеткізу жиынтығына көмір сүзгісі кіретін болса, оны ағытып алу қажет.

Сорғыны сорғы қабырғадағы сорғы саңылауларына жалғау кезінде сору түтігінің диаметрі сорғыдағы ауа шығару саңылауының (байланыстырып тұратын шентемір) диаметріне сәйкес келуі тиіс.

Сору түтігінің және қабырғадағы саңылаудың шағын диаметрі ауа шығару тиімділігін азайтады және шу деңгейін айтарлықтай арттырады.

Бұл жағдайда өндіруші аспап жұмысына жауап бермейді.

! Жүргізілген сору түтігінің мүмкіндігінше үлкен болмауы маңызды.

! Соратын түтікті мүмкіндігінше бұрмаларын аз етіп орнатыңыз (майыстырудың максималды бұрышы - 90°).

! Көлденең қимасының айырмашылығы үлкен сору түтіктерін қолдануға болмайды.

! Соратын түтіктің ішкі беті барынша тегіс болуы тиіс.

! Соратын түтік сертификатталған материалдардан жасалуы тиіс.



#### **Сүзу режимінде жұмыс жасау**

Сүзу режимінде мамандандырылған дүкендерден сатып алуға болатын көмір сүзгісі орнатылуы тиіс.

**Сүзгі май бөлшектерін және иісті ұстап қалады да, одан түсетін ауаның иісін жояды және тазартылған ауаны жоғарғы тор арқылы бөлмеге қайтарады.**

### **ОРНАТУ**

Пісіру панеліндегі асхана жабдығына арналған тірек беті мен сорғының ең төменгі бөлігі арасындағы миниималды арақашықтық электрлік плиталар үшін 65 см кем емес және газ немесе аралас плиталар үшін 75 см болуы тиіс. Егер газ плитаны орнату жөніндегі нұсқаулықта көбірек арақашықтық көрсетілген болса, осы талапты ұстаныңыз.

### **⚠ Электр желісіне жалғау**

Жалғар алдында аспап ішіндегі зауыттық жапсырмада көрсетілген деректердің электр желісінің нақты параметрлеріне сәйкес келетінін тексеріп алыңыз. Егер аша бар болса, ашаны қолданыстағы нормаларға сәйкес орнатылған және қол жетімді жерде орналасқан розеткаға тығыңыз. Егер аша болмаса немесе розетка қол жетімсіз жерде орналасса, аспапты орнату жөніндегі нұсқаулыққа сәйкес III санатты шектен тыс кернеу туындаған кезде желіні толықтай ажыратуды қамтамасыз ететін қос полюсті сөндіргішке жалғаңыз.

**Ескерту!** Сорғыны электр желісіне жалғар және жұмысының дұрыстығын тексерер алдында байланыстыру кабелінің дұрыс жалғанғанына көз жеткізіңіз.

### **Монтаждау**

Сорғы өте ауыр, сондықтан оны кемінде екі адам тасымалдауы және монтаждауы тиіс.

Монтаждауды бастамас бұрын:

- Бұйымның өлшемі бойынша монтаждалатын жерге сәйкес келетінін тексеріңіз.
- Егер сорғы жиынтығында көмір сүзгілері (көмір сүзгісі) (\*) жеткізілетін болса, оны ауыстырыңыз (тиісті бөлімді қараңыз). Егер сорғыны сүзу режимінде қолданатын болсаңыз, көмір сүзгілерін (көмір сүзгісін) орнатыңыз.
- Сорғы ішінде тасымалдау үшін салынған заттардың, мысалы, бұрандалары бар пакеттің (\*), кепілдік талонының (\*) және т.б. жоқ екенін тексеріп алыңыз, егер бар болса, алып тастаңыз.
- Монтаждалатын аймақтағы қабырғаға немесе төбеге еркін қатынауы қамтамасыз ету үшін мүмкіндігінше плитаны электр желісінен ажыратыңыз және ысырып қойыңыз немесе пісіру бетін үстел бетінен шығарып алыңыз. Егер бұл мүмкін болмаса, плитаны немесе пісіру бетін ықтимал бұзылулардан және қоқыстан қорғау үшін қалың материалмен жабыңыз. Сорғыны құрастыруды тегіс бетте жүргізіңіз. Бетін қорғайтын материалмен жабыңыз және сорғының компоненттері мен бекіту бөлшектерін шығарып қойыңыз.
- Қосымша ретінде монтаждайтын аймақта монтаждау аяқталғаннан кейін еркін қатынау қамтамасыз етілетін розетканың бар жоғын және буды сыртқа шығару құрылғысын жалғау мүмкіндігін тексеріп алыңыз (тек ағынды нұсқа үшін).
- Қажетті құрылыс-монтаж жұмыстарын орындаңыз (розетканы орнату, сору түтігіне арналған саңылауды жасау).






Сорғыны түрлі қабырғаларға/төбеге бекіту үшін дюбельдер қарастырылған. Дегенмен, бұйымды монтаждауды бастамас бұрын білікті маман қабырға беті мен төбенің сәйкестігін тексеруі тиіс. Қабырға немесе төбе бұйым салмағына шыдау үшін барынша берік болуы тиіс. **Сорғыны қаптау плиталарың, құрылыс ерітіндісін, силиконның және т.б. көмегімен бекітпеңіз. Аспап тек беттерге монтаждауға арналған.**

### **АСПАП ЖҰМЫСЫ**

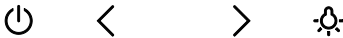
Асханада түтін мен иіс қарқындығы жоғары болған кезде жоғары жылдамдықты қосыңыз. Сорғыны дайындауды бастар алдында 5 минут қосу, дайындау барысында оны қосылған күйде қалдыру және дайындау аяқталғаннан кейін шамамен 15 минут өшірмеу ұсынылады.





## Механикалық басқару



-  Моторды өшіру үшін ӨШІРУ батырмасын басыңыз.
-  Мотордың 1-жылдамдығын қосу үшін 1-жылдамдық батырмасын басыңыз.
-  Мотордың 2-жылдамдығын қосу үшін 2-жылдамдық батырмасын басыңыз.
-  Мотордың 3-жылдамдығын қосу үшін 3-жылдамдық батырмасын басыңыз.
-  Жарықты қосу үшін жарық батырмасын басыңыз. Жарықты өшіру үшін батырманы тағы басыңыз.

## Сенсормен басқару



-  Мотор жылдамдығын таңдау үшін қосу/өшіру батырмасын басыңыз.
-  Мотор жылдамдығын азайту үшін басыңыз.
-  Мотор жылдамдығын көбейту үшін басыңыз (жылдамдықтың макс. 3 деңгейі)
-  Жарықты қосу үшін жарық батырмасын басыңыз. Жарықты өшіру үшін батырманы тағы басыңыз.

## ТЕХНИКАЛЫҚ ҚЫЗМЕТ КӨРСЕТУ

**НАЗАР АУДАРЫҢЫЗ!** Қызмет көрсетуді бастамас бұрын жалпы өшіргішті сөндіру және сақтандырғышты ажырату арқылы сорғыны электр желісінен ажыратыңыз.

Егер аспап электр желісіне розетка арқылы жалғанса, одан ашаны ажыратыңыз.

### Тазалау

Аспаптың ішкі және сыртқы беттерін жүйелі түрде тазалап тұрыңыз (май сүзгілеріне қызмет көрсету сияқты жиі емес). Тазалау үшін бейтарап сұйық тазалау құралына батырылған матаны қолданыңыз. Абразивтік тазалау құралдарын қолдануға болмайды. **СПИРТТІ ҚОЛДАНУҒА ТЫЙЫМ САЛЫНАДЫ!**

ЕСКЕРТУ: Аспапты тазалау және сүзгілерді ауыстыру ережелерін орындамау жануға алып келуі мүмкін, сондықтан берілген нұсқауларды орындау ұсынылады.

Өндіруші дұрыс қызмет көрсетпеу немесе техниканы сақтамау салдарынан болған мотордың бұзылуына және өрттенуден болуы ықтимал залалдарға жауап бермейді.

### Май сүзгісі

**Май сүзгісі май бөлшектерін ұстап қалады.**

**Май сүзгісін** айына бір рет агрессивті емес жуу құралдарымен қолмен немесе ыдыс жуу машинасында жылдам бағдарламада төмен температурамен тазалаңыз. Ыдыс жуу машинасында жуу кезінде сүзгі түсі болмашы ғана өзгеруі мүмкін, бірақ бұл сүзгі жұмысына әсер етпейді.

Май сүзгісін шығарып алу үшін серіппесі бар тұтқаны төмен тартыңыз.



### **Көмір сүзгісі (тек сүзу режимі үшін)**

**Көмір сүзгісі тағам дайындау кезінде пайда болатын жағымсыз иістерді сіңіріп алады.**

**Көмір сүзгісінің** ластану дәрежесі қолдану қарқындылығына, дайындалатын тағам түріне және көмір сүзгісін тазалау жиілігіне байланысты болады.

Кез келген жағдайда көмір сүзгісінің картридждің әр төрт ай сайын ауыстыру қажет. Көмір сүзгісін жууға және өзгертуге **БОЛМАЙДЫ**.

### **Дөңгелек көмір сүзгісі**

Сүзгіні әр бетінен бір-бірден мотор торын қорғауға арналған қақпақ ретінде орнатыңыз және сағат тілі бағытында бұраңыз. Сүзгілерді алу үшін оны сағат тіліне қарсы бағытта бұраңыз.

### **Шамдарды ауыстыру**

Сорғы оңтайлы жарықтандыруды қамтамасыз ететін, қарапайым шамдармен салыстырғанда 10 есе ұзақ қызмет ететін және электр энергиясын 90% дейін үнемдейтін жарық диодты шамдармен жабдықталған.

Жарықтандыру жүйесі бұзылған жағдайда сервис орталығына хабарласыңыз.

### **Техникалық сипаттама**

CV60BK/E-N6T1G

Supply voltage	220-240V~50Hz
Power consumption - Fan	280W
Power consumption - Luminary	2 x 1.5W Max
Power consumption - Total	283W
Protection class	II
Light bulb	Max. 1.5W

Өнім сапасына қойылатын талаптарды мына мекен-жай бойынша жіберуіңізді сұраймыз:

Қазақстан Республикасы, Алматы қаласы, Бегалин қ. 19/49, Пр-во «Gorenje», тел 8 (727) 293 03 07

Претензии по качеству продукции направлять по адресу: Республика Казахстан, г. Алматы, ул. Бегалина, дом 19/49, Пр-во «Gorenje» 8 (727) 293 03 07

